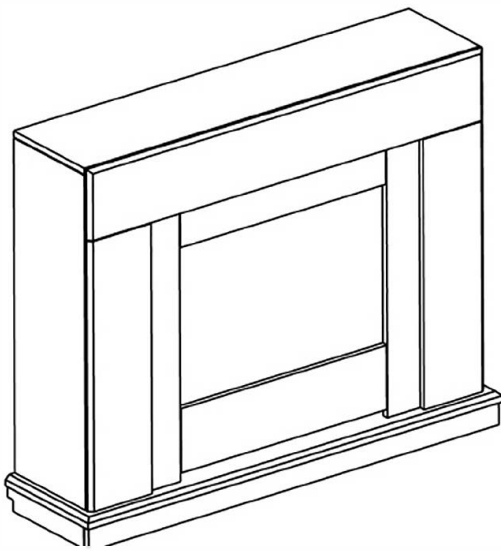


ISSUE	MODIFICATIONS	OCN	APPD	DATE	NOTES

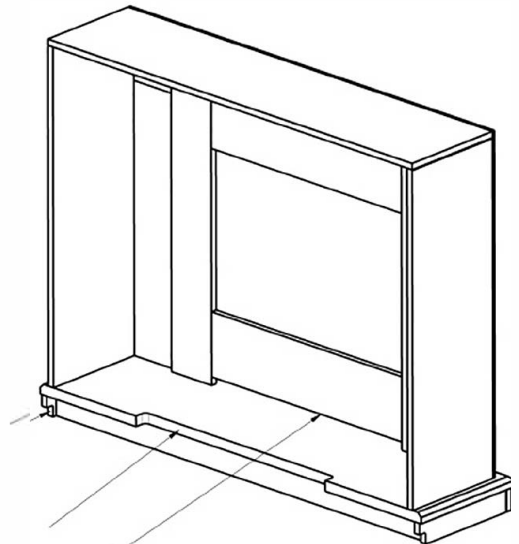
  

				PROJECT: 2012-040	
DRAWN BY R. Kelly	DATE 08.02.2013	SCALE 	HOLE TOL +/-0.05	GEN TOL 0 +/-0.4 0.0 +/-0.2 0.00 +/-0.1	TITLE <b>Athon</b>
APPD BY	DATE	DIM IN mm	ANGLES +/-0.5°	DRG NO	NO. OFF.
DO NOT SCALE IF IN DOUBT ASK		MATERIAL 15 & 25mm MDF	FINISH High Glass White	R & H S All material must comply with the requirements of European Directive 2002/95/EC on the restriction of the use of certain hazardous substances	<b>A3</b> SHT 1 of 2



SCALE 0 120

Cable Management Cut Out




Cable Management Cut Out

Air Intake

SCALE 0 120

ISSUE	MODIFICATIONS	OCN	APPD	DATE	NOTES

					PROJECT <b>2012-040</b>
DRAWN BY <i>R Key</i>	DATE 08.02.2013	SCALE	HOLE TOL +/-0.05	GEN TOL 0 +/-0.4	<h1 style="margin: 0;">Athon</h1>
APPD BY	DATE	DRAWN	ANGLE 15 +/-0.5°	0.0 +/-0.2 0.00 +/-0.1	NO. OFF:
MATERIAL 15 & 25mm MDF		REPTS: All material must comply with the requirements of European Directive 2002/95/EC on the restriction of the use of certain hazardous substances			A3
FINISH High Gloss White					Sht 2 of 2

DO NOT SCALE  
IF IN DOUBT ASK

