

MODELLO	DIM 'A'
BRACE 50	508mm
BRACE 100	1017mm

TOP	DIM 'B'
METAL	304mm
LEGNA	354mm

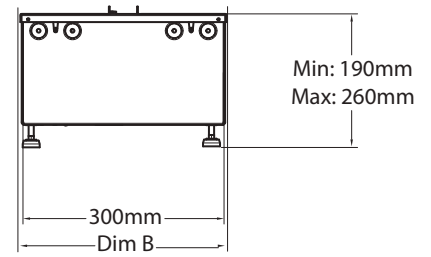
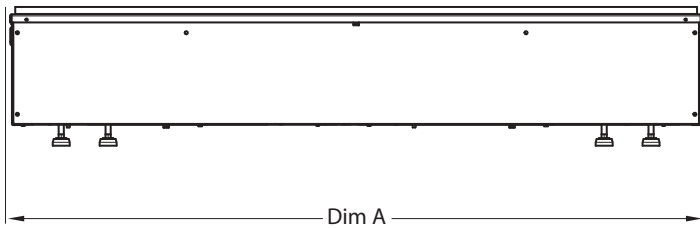


Fig.1

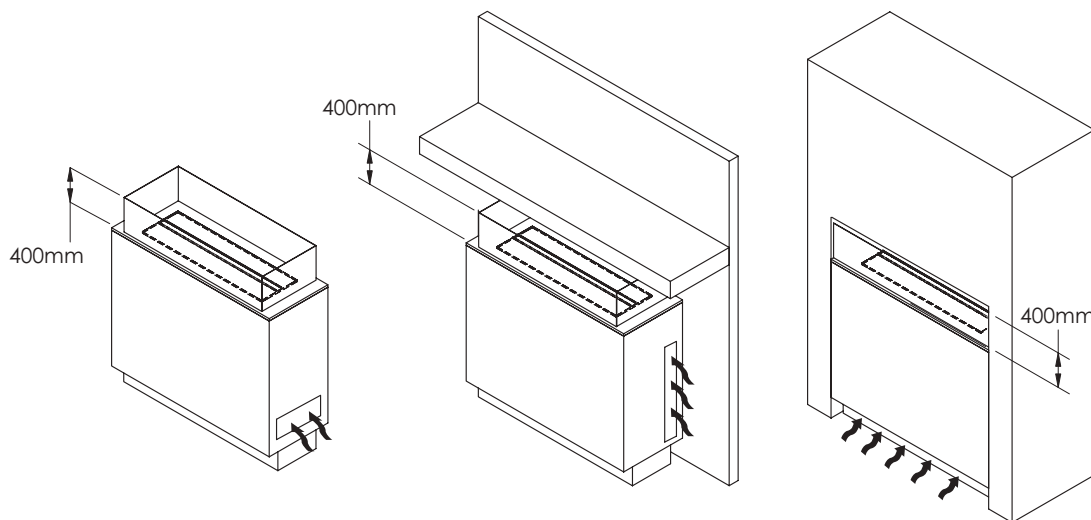
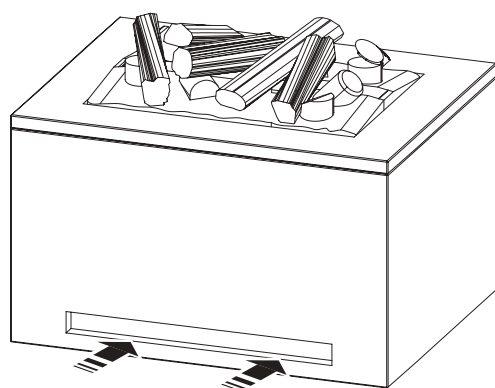
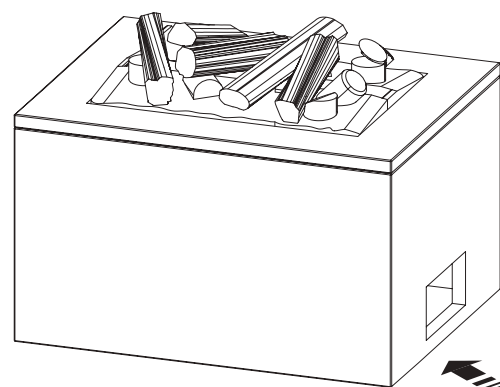


Fig.2



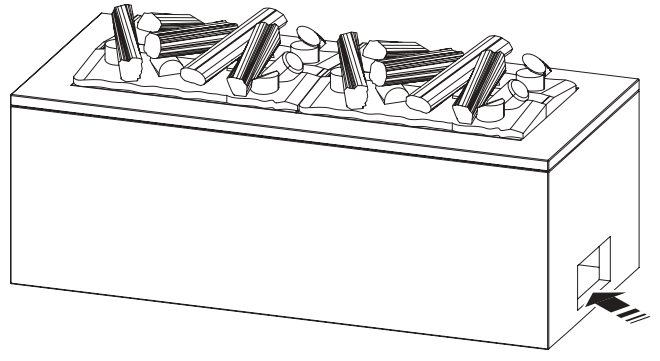
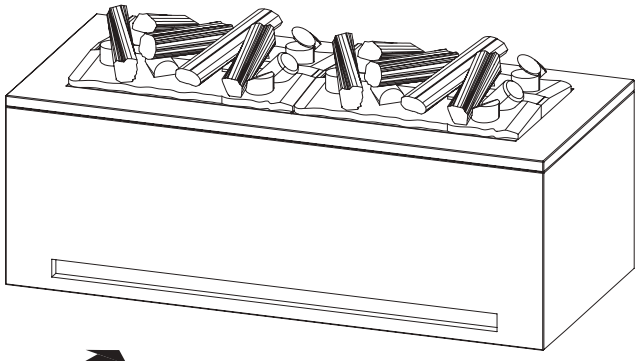
≈ >210cm<sup>2</sup>  
Eg. 42cm x 5cm



≈ >210cm<sup>2</sup>  
Eg. 14.5cm x 14.5cm

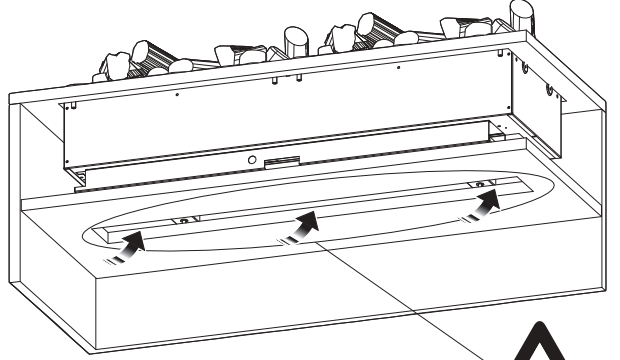
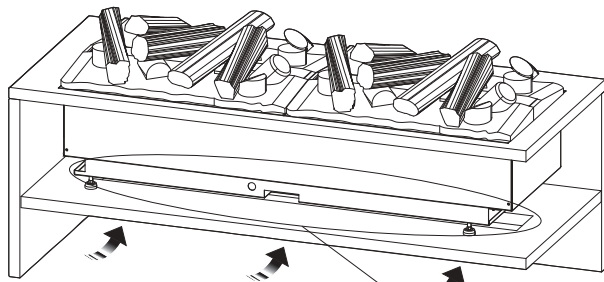
Fig.3

Fig.4



≈ >420cm<sup>2</sup>  
Eg. 84cm x 5cm

≈ >420cm<sup>2</sup>  
Eg. 20.5cm x 20.5cm



≈ >420cm<sup>2</sup>  
Eg. 84cm x 5cm

≈ >420cm<sup>2</sup>  
Eg. 84cm x 5cm

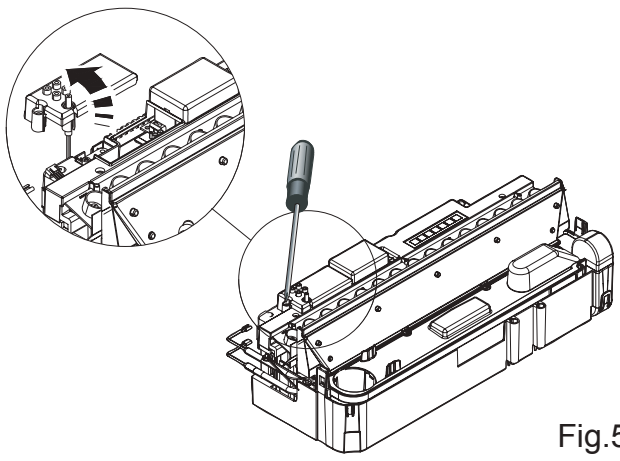


Fig.5

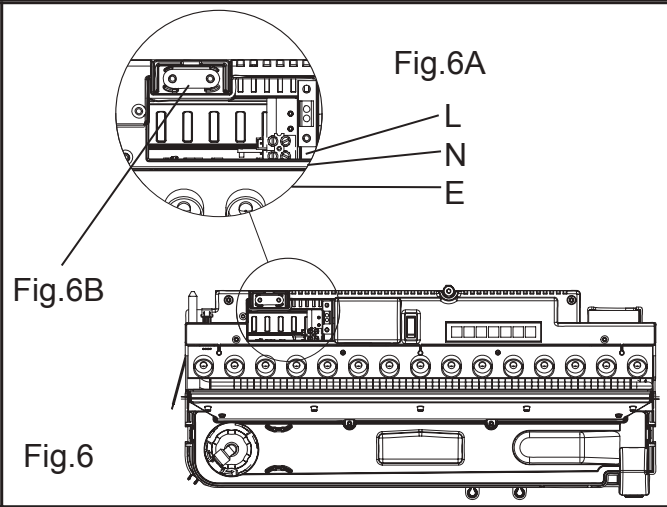


Fig.6B

Fig.6

Fig.6A

L  
N  
E

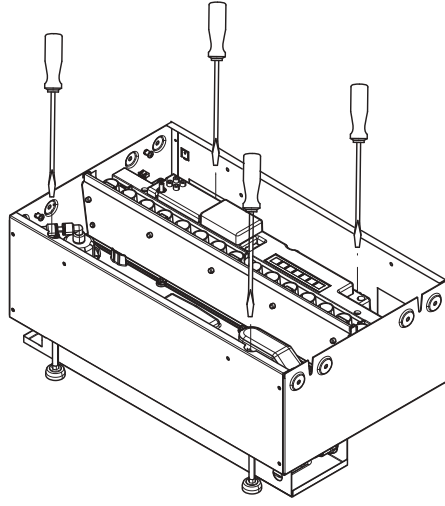
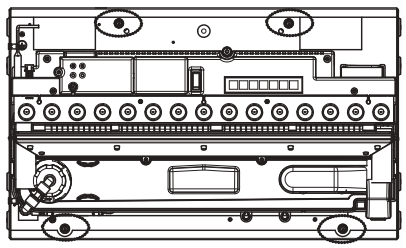


Fig.7

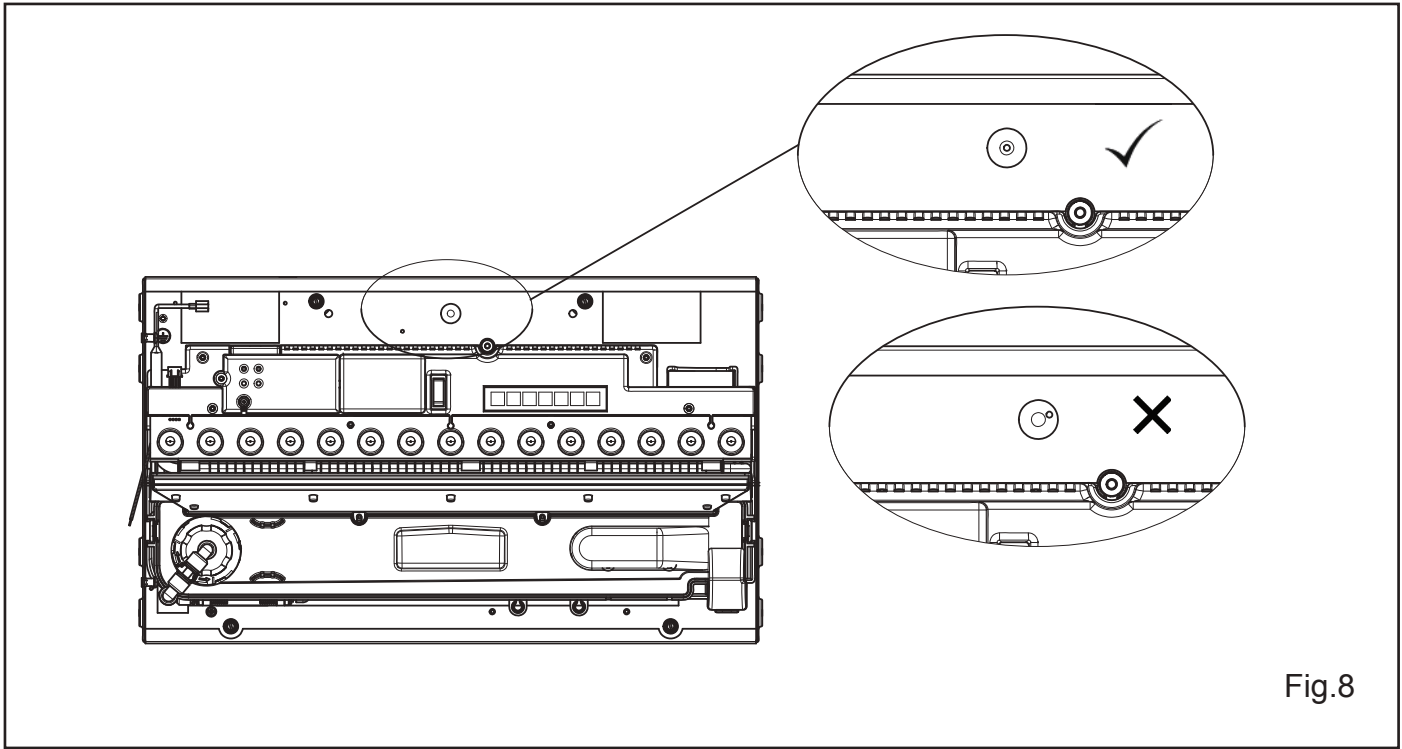


Fig.8

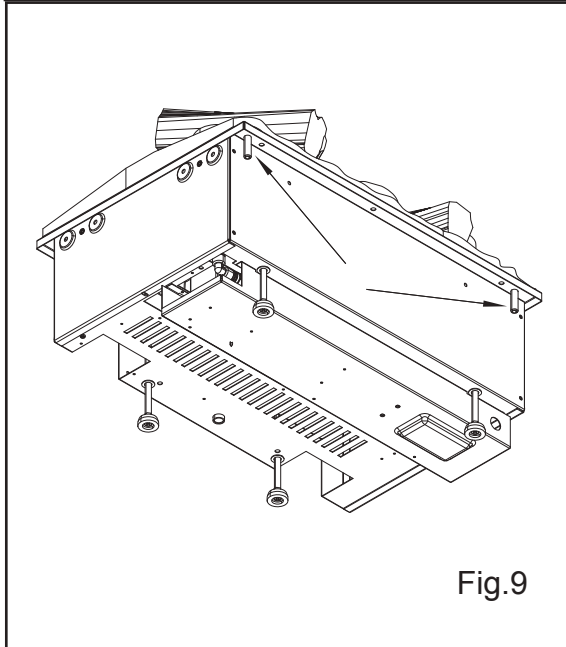


Fig.9

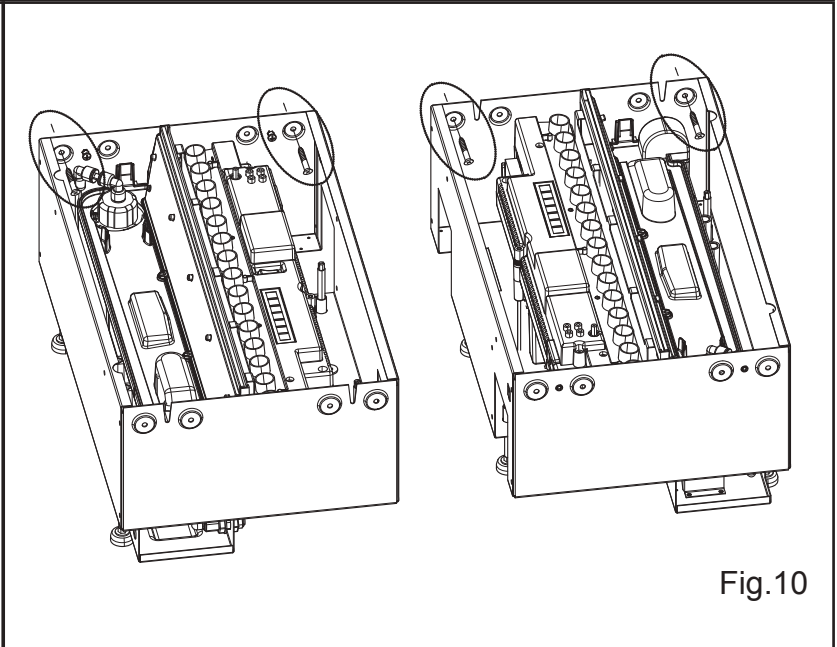


Fig.10

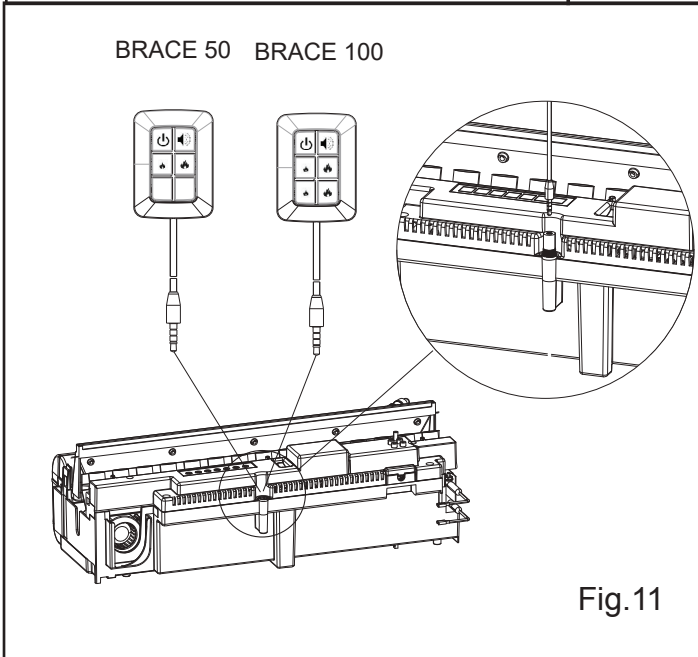


Fig.11

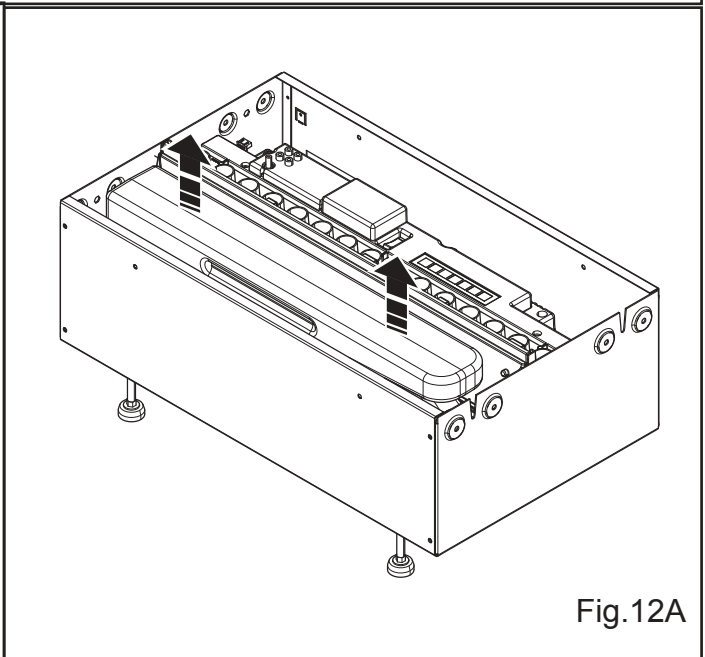


Fig.12A

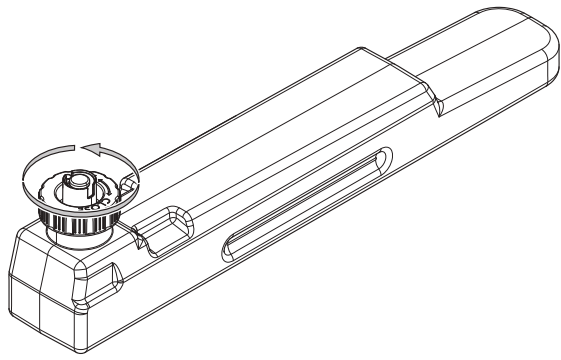


Fig. 12B

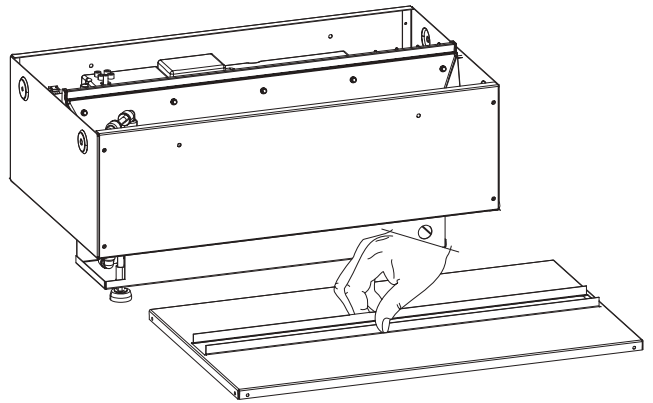


Fig. 13

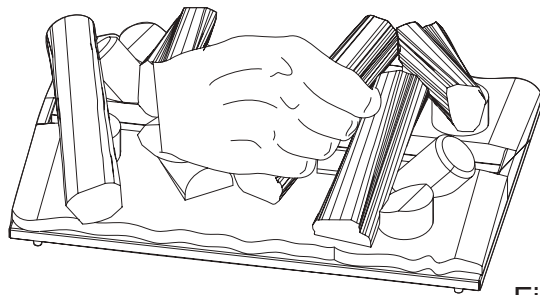


Fig. 14

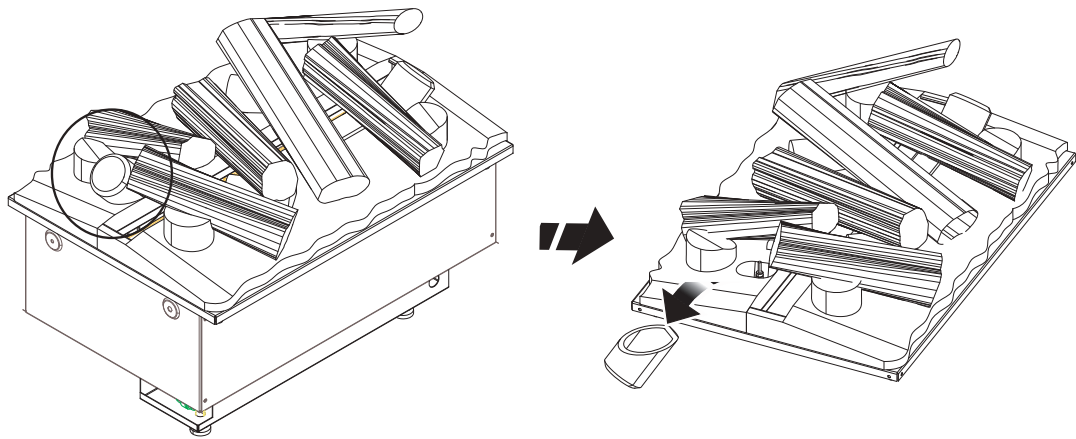


Fig. 15

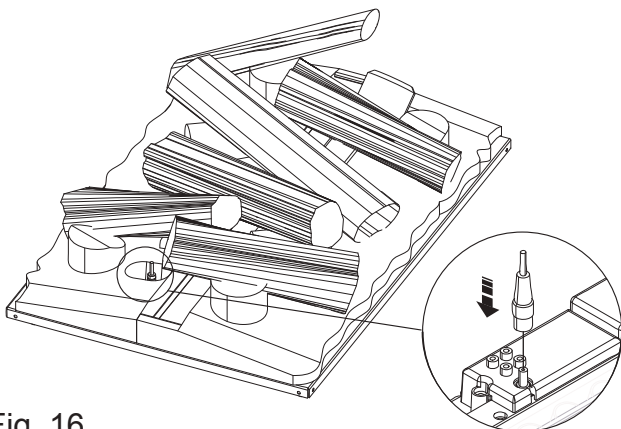


Fig. 16

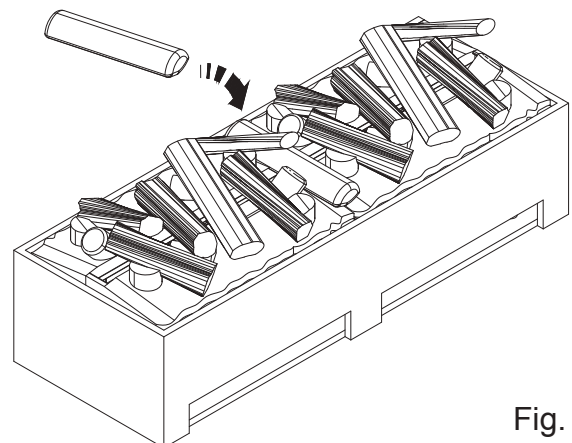


Fig. 17

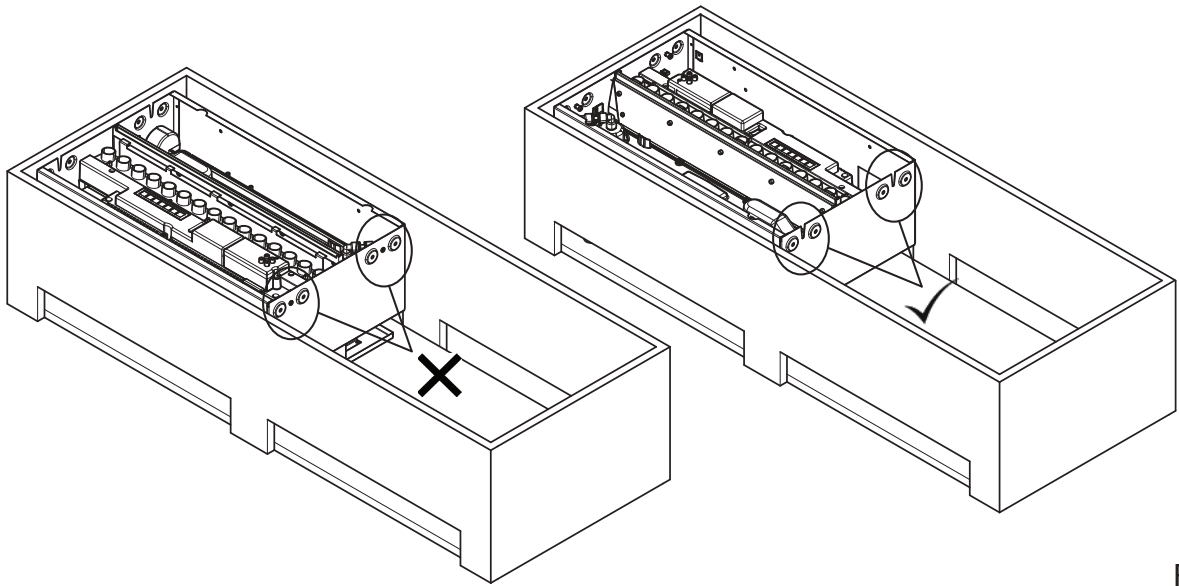


Fig. 19A

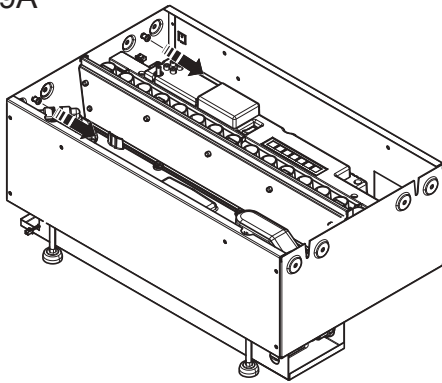


Fig. 19B

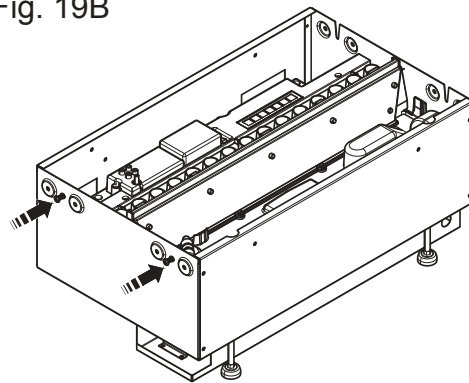


Fig. 19

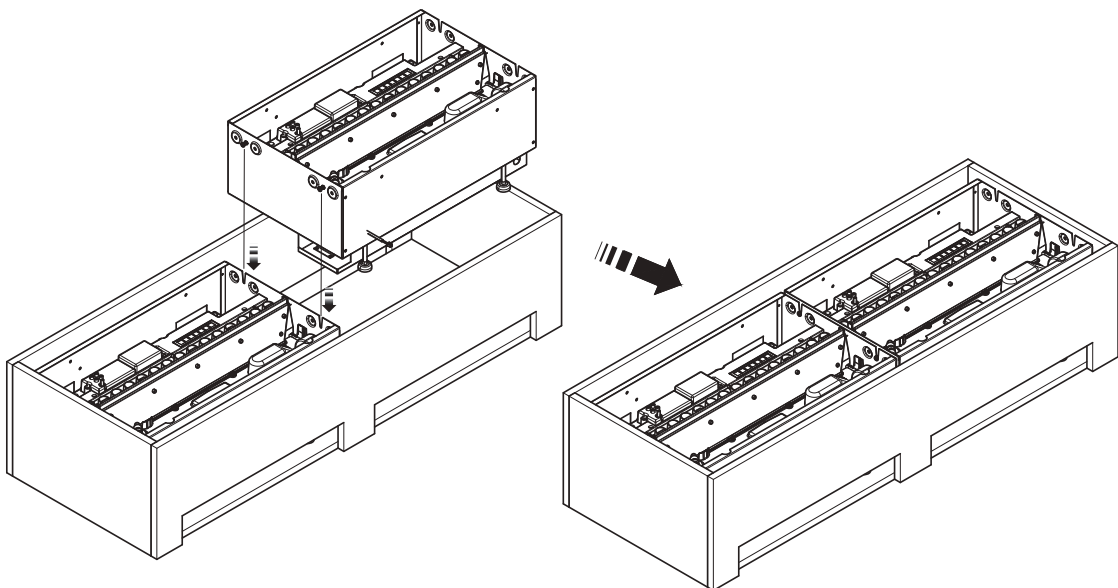


Fig. 20

