

GlammFire

Crea7ion.E

Wall Mounted Fireplaces//

Apollo Tango, Mito Small,
Zen, Lotus, Apollo IV, Zen V,
Mito Genesis, Mito Small
Genesis

Ignition Mode//

Electronic—Remote Control

Accessories// Black Mirror



Crea7ion By GlammFire—The line of perfection

It is designed to emphasize the unique and continuous expressions of the flame. Crea7ion is an electronic system with an innovative technology, which stand out its simple design, practical functionality and low consumption. Its structure and solidity ensure a perfectly safe and linear flame, while its ecological character keeps a respecting commitment to the environment, contributing to a pleasant comfort and well-being.

Crea7ion can be integrated into virtually any environment or directly in different types of structures (eg.: furniture or masonry). A system totally safe for projects led by architects, decorators and interior designers.

Control the pleasure of your fire.

GlammFire

Recuperadores Pachinha Lda.
Zona Industrial da Lagoa, Lote G1
4950-850 CORTES - MONÇÃO
PORTUGAL

Tel(+351) 251 654 800
Fax(+351) 251 654 801
info@glammfire.com
www.glammfire.com

glamm[®]
fire

GlammFire

Crea7ion.E



GlammFire

Recuperadores Pachinha Lda.
Zona Industrial da Lagoa, Lote G1
4950-850 CORTES - MONÇÃO
PORTUGAL

Tel(+351) 251 654 800
Fax(+351) 251 654 801
info@glammfire.com
www.glammfire.com

glamm[®]
fire

GlammFire

Crea7ion.E

Options



Apollo III Crea7ion.E/Lacquered steel
OP// black, red, cream

Apollo II Crea7ion.E/Brushed stainless steel

Apollo I Crea7ion.E/Rusted corten steel

Apollo II Crea7ion



Tango III Crea7ion.E /Lacquered steel
OP// black, red, cream

Tango II Crea7ion.E/ Brushed stainless steel

Tango IV Crea7ion.E / Rusted corten steel

Tango I Crea7ion.E/Leather
OP//“Mississippi red”
//“Montana white”
//“Montana black”

Tango I Crea7ion



Mito Small I Crea7ion.E/Lacquered steel
OP// black, red, cream

Mito Small II Crea7ion.E/ Brushed stainless steel

Mito Small III Crea7ion.E/Rusted corten steel

Mito Small I Crea7ion

GlammFire

Recuperadores Pachinha Lda.
Zona Industrial da Lagoa, Lote G1
4950-850 CORTES - MONÇÃO
PORTUGAL

Tel(+351) 251 654 800
Fax(+351) 251 654 801
info@glammfire.com
www.glammfire.com

glamm[®]
fire

GlammFire

Crea7ion.E



Zen III Crea7ion

Zen II Crea7ion.E/ Lacquered steel
OP// black, red, cream

Zen IV Crea7ion.E/Brushed stainless steel

Zen III Crea7ion.E/Rusted corten steel

Zen I Crea7ion.E/Leather
OP//“Mississippi red”
//“Montana white”
//“Montana black”



Lotus III Crea7ion

Lotus IV Crea7ion.E/Lacquered steel
OP// black, red, cream

Lotus III Crea7ion.E/ Brushed stainless steel

Lotus I Crea7ion.E/ Rusted corten steel

Lotus II Crea7ion.E/ Leather
OP//“Mississippi red”
//“Montana white”
//“Montana black”



Mito I Genesis Crea7ion

Mito I Genesis Crea7ion.E/Lacquered steel
OP// black, red, cream

Mito II Genesis Crea7ion.E/ Lacquered steel – Brushed stainless steel

Mito III Genesis Crea7ion.E/ Rusted corten steel



Mito Small III Genesis Crea7ion

Mito Small I Genesis Crea7ion.E/ Lacquered steel
OP// black, red, cream

Mito Small II Genesis Crea7ion.E/ Lacquered steel – Brushed stainless steel

Mito Small III Genesis Crea7ion.E/ Rusted corten steel

GlammFire

Recuperadores Pachinha Lda.
Zona Industrial da Lagoa, Lote G1
4950-850 CORTES – MONÇÃO
PORTUGAL

Tel(+351) 251 654 800
Fax(+351) 251 654 801
info@glammfire.com
www.glammfire.com

glamm[®]
fire

GlammFire

Crea7ion.E



Apollo IV Crea7ion

Apollo IV Crea7ion.E/ Rusted corten steel

Apollo V Crea7ion.E/ Lacquered steel
OP// black, red, cream

Apollo VI Crea7ion.E/ Brushed stainless steel

Apollo VI Crea7ion.E/ Corten steel



Zen V Crea7ion

Zen V Crea7ion.E/ Corten steel

Zen VI Crea7ion.E/ Lacquered steel
OP// black, red, cream

Zen VII Crea7ion.E/ Rusted corten steel

Option—Black Mirror



GlammFire

Recuperadores Pachinha Lda.
Zona Industrial da Lagoa, Lote G1
4950-850 CORTES - MONÇÃO
PORTUGAL

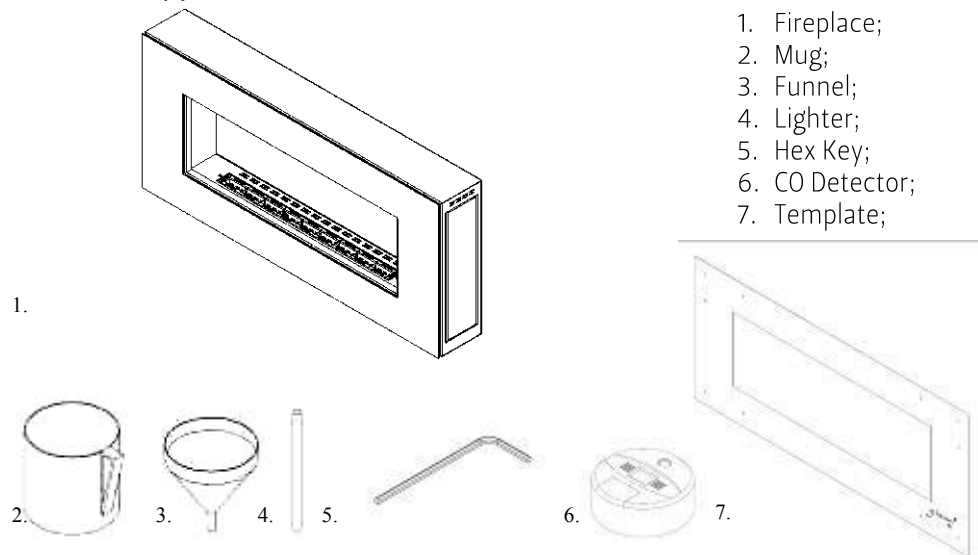
Tel(+351) 251 654 800
Fax(+351) 251 654 801
info@glammfire.com
www.glammfire.com

glamm[®]
fire

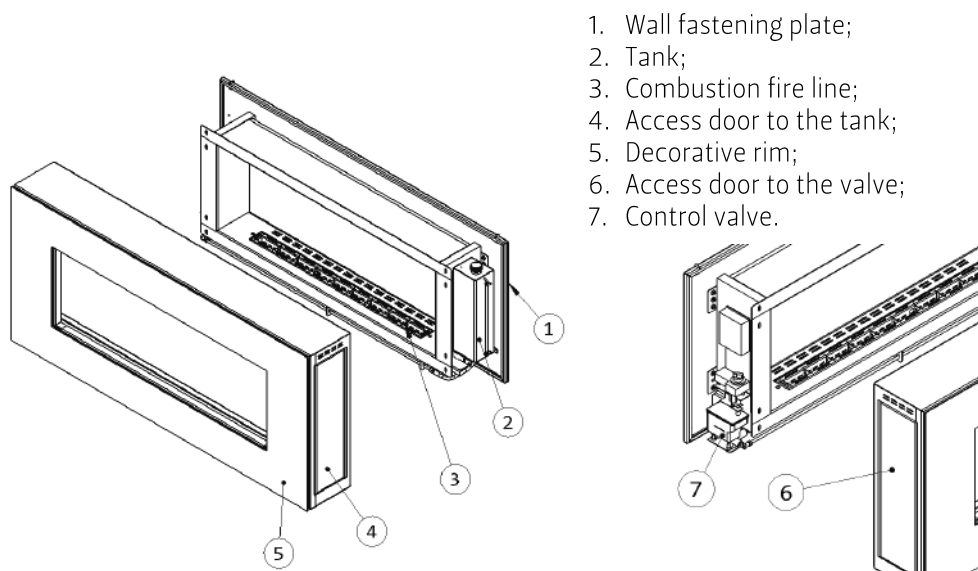
GlammFire

Creation.E

Material Supplied



Components



GlammFire

Recuperadores Pachinha Lda.
Zona Industrial da Lagoa, Lote G1
4950-850 CORTES - MONÇÃO
PORTUGAL

Tel(+351) 251 654 800
Fax(+351) 251 654 801
info@glammfire.com
www.glammfire.com

glamm[®]
fire

GlammFire

Creation.E

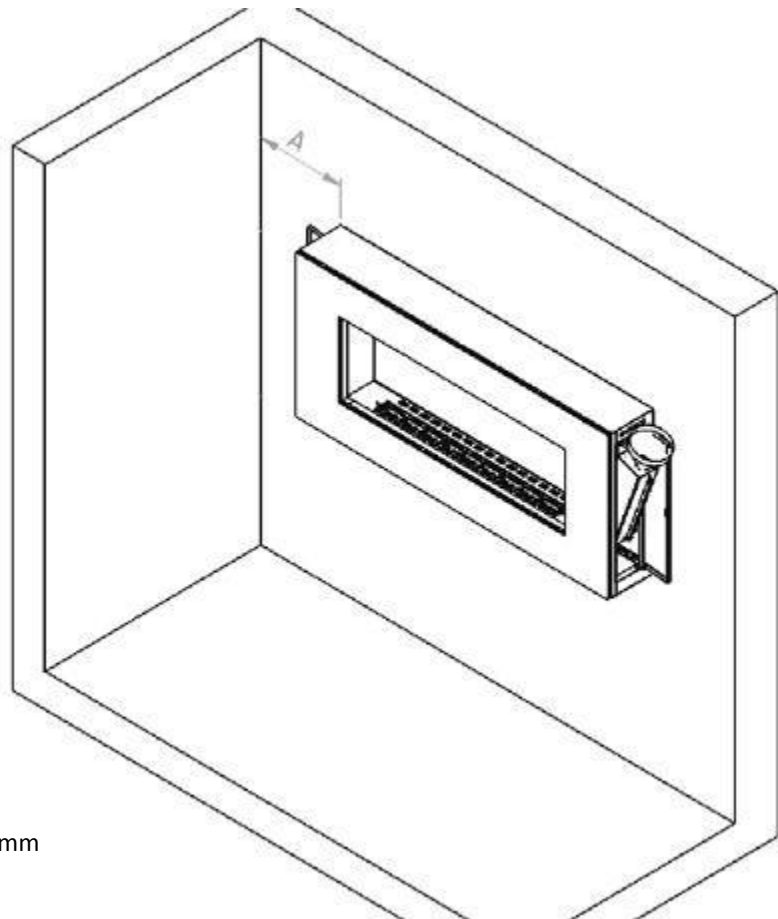
Installation

In order to ensure a safety margin respect to the ground it is recommended to keep a minimum distance of 400 mm between the floor and the top of the combustion fire ;

The surface which you want to install the combustion fire must be as level as possible;

Dimensions:

To access to the control valve and tank will be necessary to ensure a distance between the fireplace and potential obstacles on lateral sides superior to 300 mm.



GlammFire

Recuperadores Pachinha Lda.
Zona Industrial da Lagoa, Lote G1
4950-850 CORTES - MONÇÃO
PORTUGAL

Tel(+351) 251 654 800
Fax(+351) 251 654 801
info@glammfire.com
www.glammfire.com

glamm[®]
fire

GlammFire

Creation.E

Flammable materials

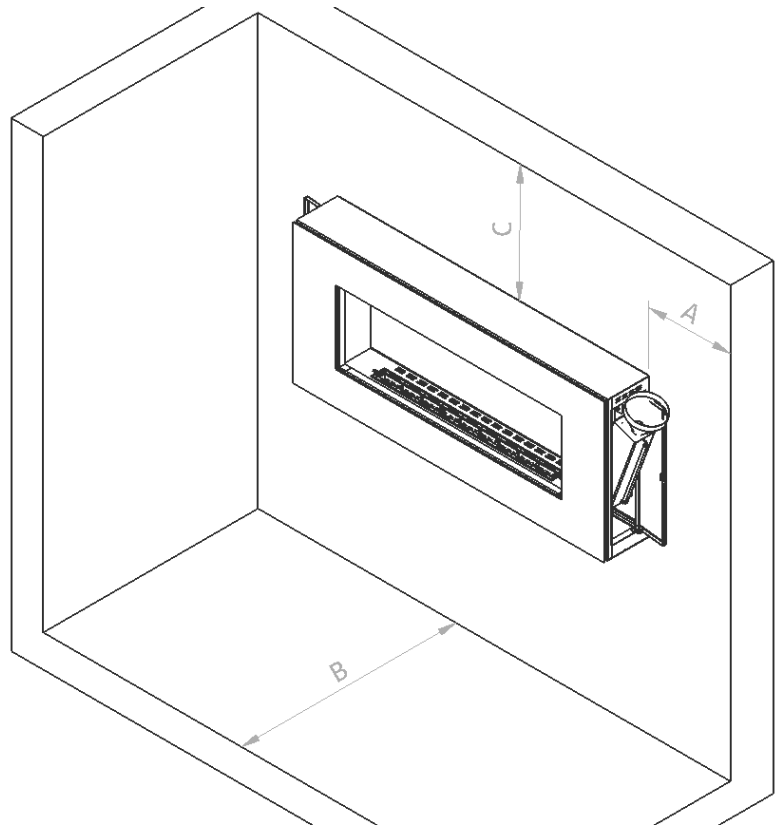
- Do not place flammable materials near the fireplace, within 1m;
- Racks or shelves should be distant:
 - From fireplaces: 500 mm;
 - From combustion fire lines: 1000 mm;

Materials: stone/metal/ceramics

- A - 150 mm;
- B - 100 mm;
- C - 500 mm;

Other non-flammable materials

- A - 200 mm;
- B - 250 mm;
- C - 600 mm;



GlammFire

Recuperadores Pachinha Lda.
Zona Industrial da Lagoa, Lote G1
4950-850 CORTES - MONÇÃO
PORTUGAL

Tel(+351) 251 654 800
Fax(+351) 251 654 801
info@glammfire.com
www.glammfire.com

glamm[®]
fire

GlammFire

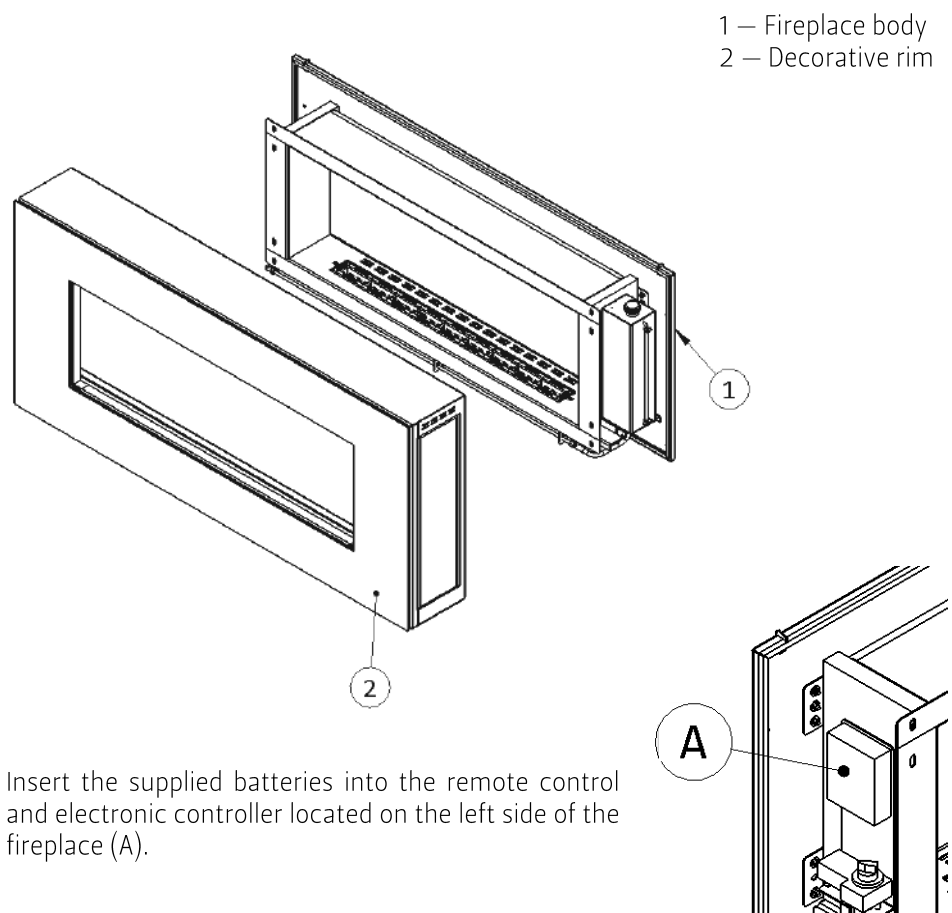
Creation.E

Installation Procedures

Very Important:

We recommend extreme caution when unpacking your fireplace. The decorative rim is seated in the wall fastening plate, but it is loosened.

Separate the decorative rim to start the installation.



GlammFire

Recuperadores Pachinha Lda.
Zona Industrial da Lagoa, Lote G1
4950-850 CORTES - MONÇÃO
PORTUGAL

Tel(+351) 251 654 800
Fax(+351) 251 654 801
info@glammfire.com
www.glammfire.com

glamm[®]
fire

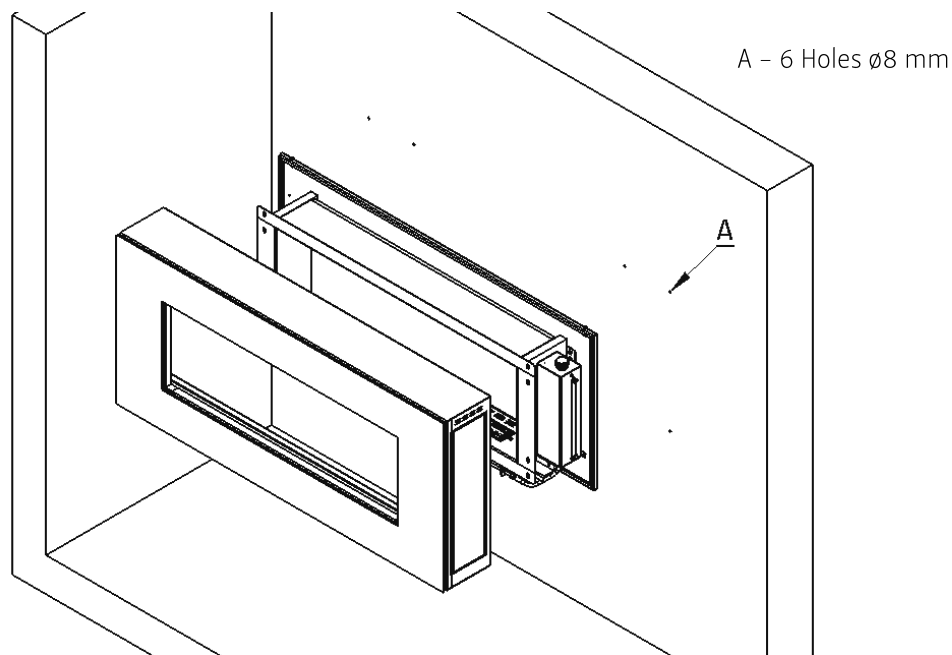
GlammFire

Crea7ion.E

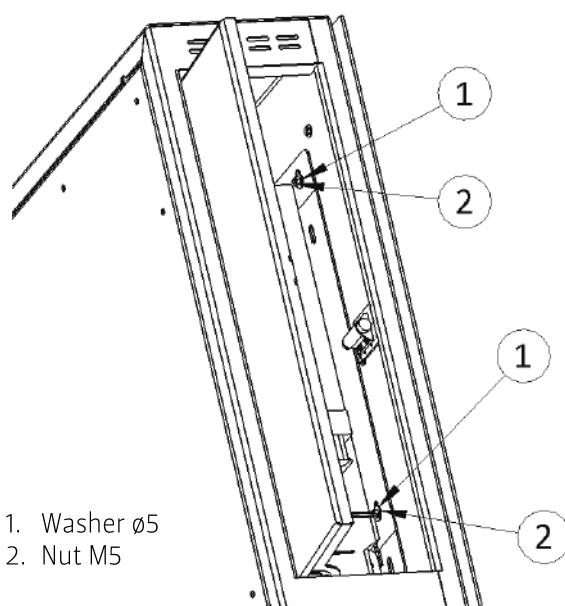
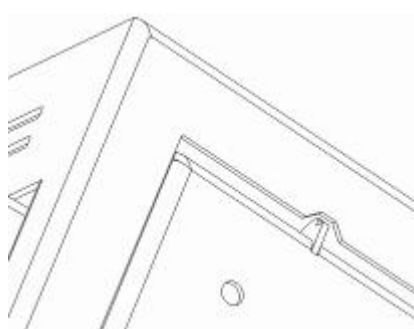
Place the fireplace in the desired location and mark the six holes required on the wall to install it, using the supplied template.

Make sure your fireplace is level.

Choose the type of fastener suitable for the wall material and proceed to the drilling. Tighten the fireplace to the wall properly. Check the stability and levelling. Make adjustments if necessary.



To complete the installation of your fireplace fit the decorative rim and tighten the nuts provided.



GlammFire

Recuperadores Pachinha Lda.
Zona Industrial da Lagoa, Lote G1
4950-850 CORTES - MONÇÃO
PORTUGAL

Tel(+351) 251 654 800
Fax(+351) 251 654 801
info@glammfire.com
www.glammfire.com

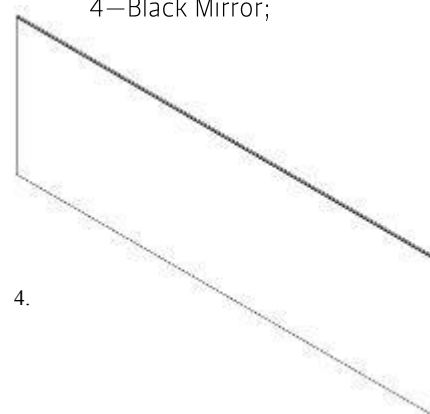
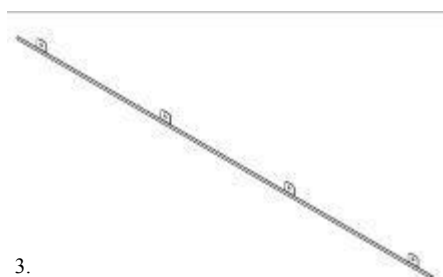
glamm
fire

GlammFire

Creation.E

Installation of optional Black Mirror

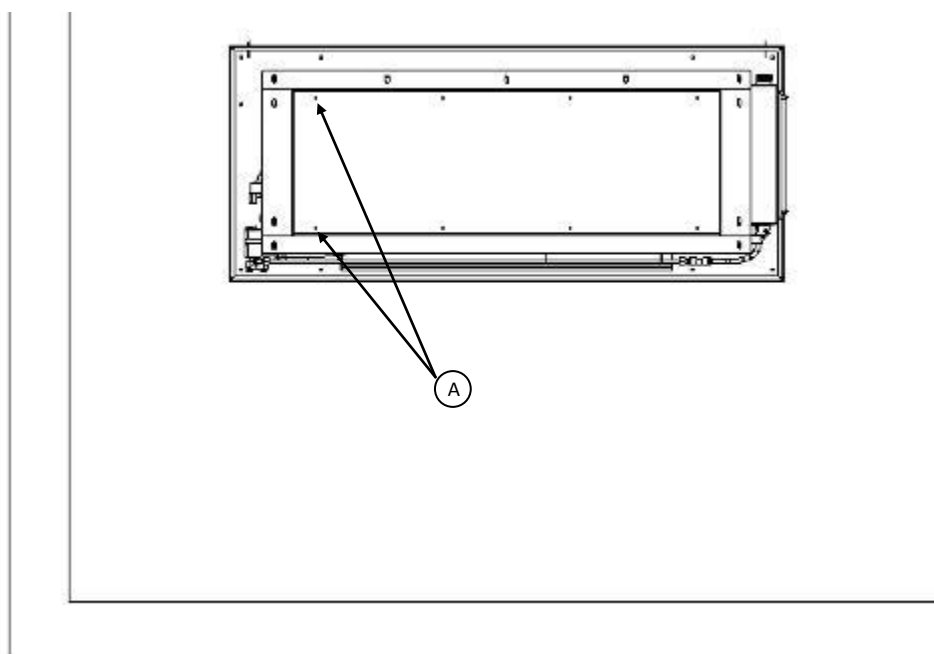
Material Supplied



- 1—Screws
- 2—Protective black mirror tape
- 3—Mounting bracket;
- 4—Black Mirror;

Optional Black Mirror Installation Procedures

Remove the decorative rim of the fireplace. Inside the fireplace there are the specific holes (A) to make this operation.



GlammFire

Recuperadores Pachinha Lda.
Zona Industrial da Lagoa, Lote G1
4950-850 CORTES - MONÇÃO
PORTUGAL

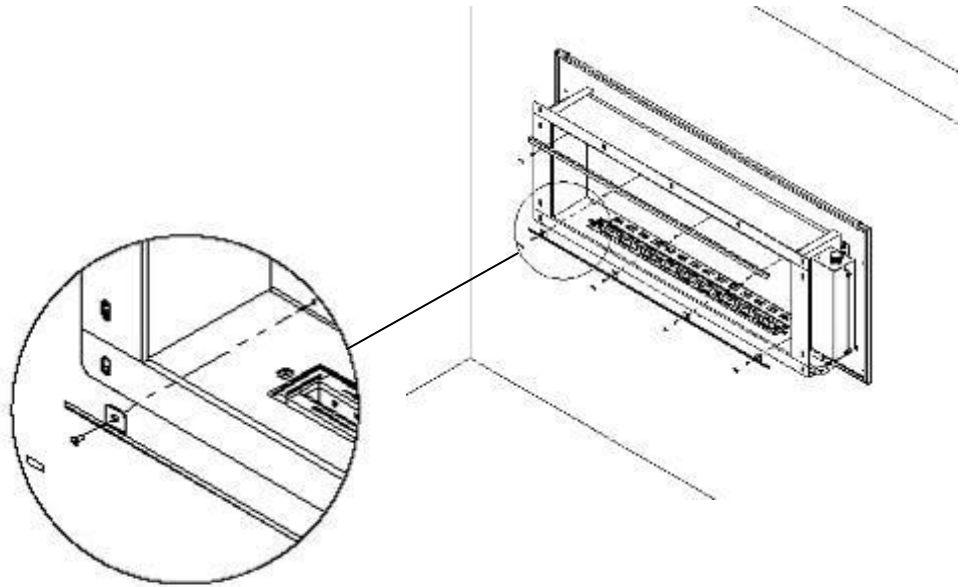
Tel(+351) 251 654 800
Fax(+351) 251 654 801
info@glammfire.com
www.glammfire.com

glamm[®]
fire

GlammFire

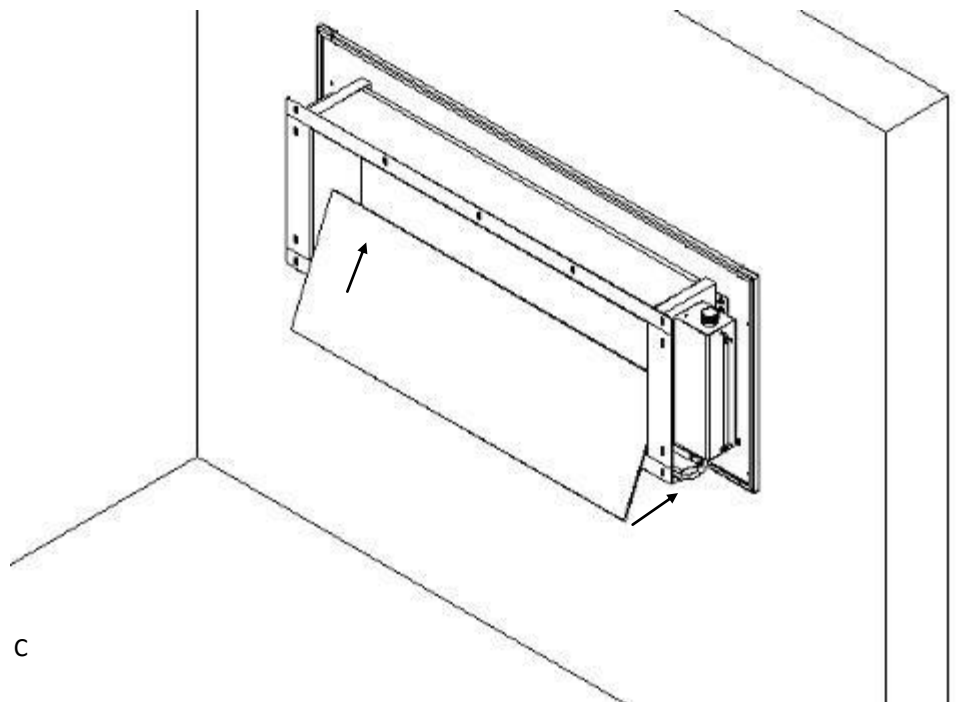
Crea7ion.E

Screw the mounting brackets using the screws supplied and do not forget to put the protective black mirror tapes (B).



B

Place the black mirror, inserting it into the upper mounting bracket. When docked touch it inside the fireplace (C).



C

GlammFire

Recuperadores Pachinha Lda.
Zona Industrial da Lagoa, Lote G1
4950-850 CORTES - MONÇÃO
PORTUGAL

Tel(+351) 251 654 800
Fax(+351) 251 654 801
info@glammfire.com
www.glammfire.com

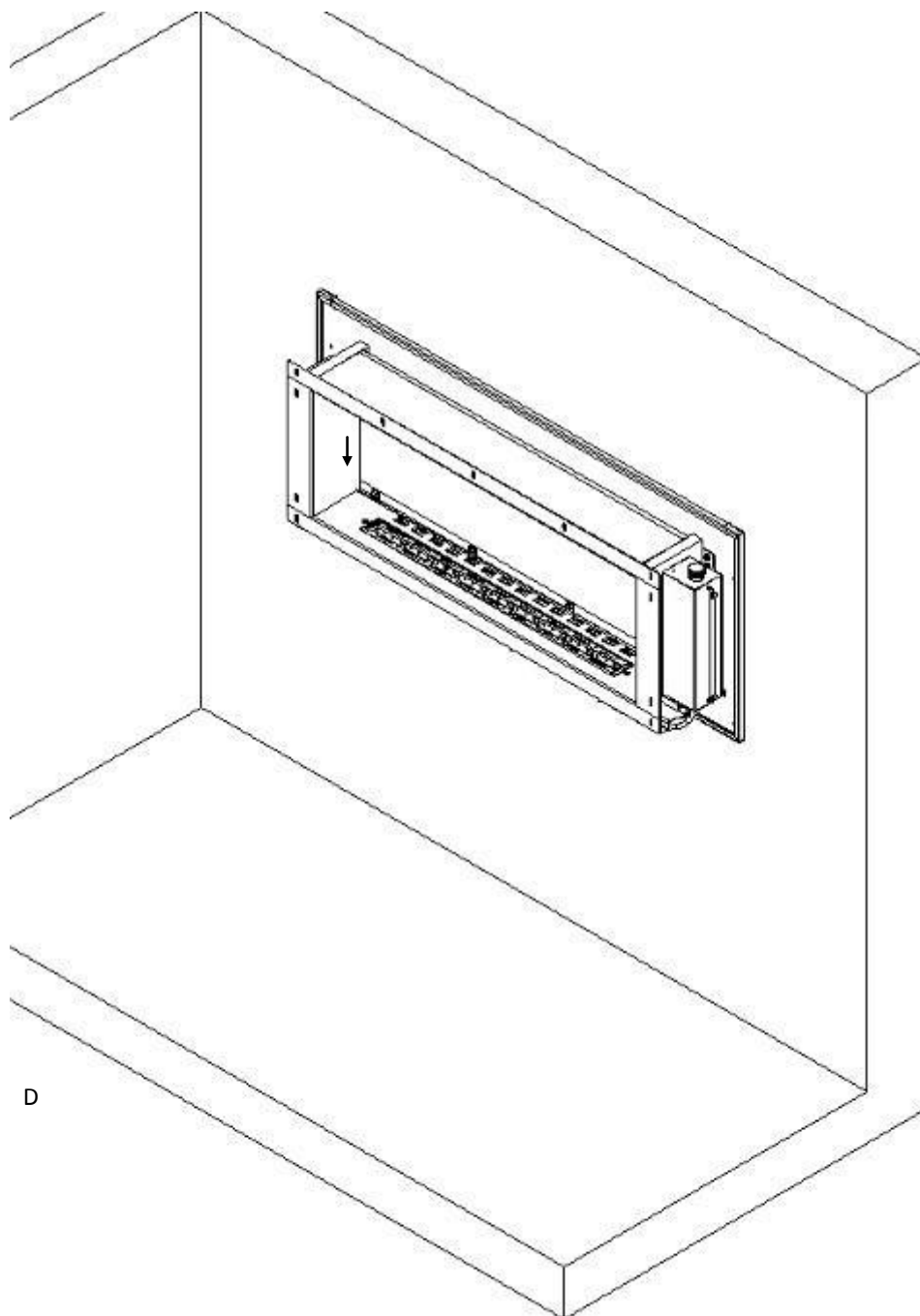
glamm[®]
fire

GlammFire

Crea7ion.E

Let the black mirror slide slowly, without dropping it, to fit into the lower mounting bracket. (D)

Make all procedures very carefully so as not to damage the black mirror.



GlammFire

Recuperadores Pachinha Lda.
Zona Industrial da Lagoa, Lote G1
4950-850 CORTES - MONÇÃO
PORTUGAL

Tel(+351) 251 654 800
Fax(+351) 251 654 801
info@glammfire.com
www.glammfire.com

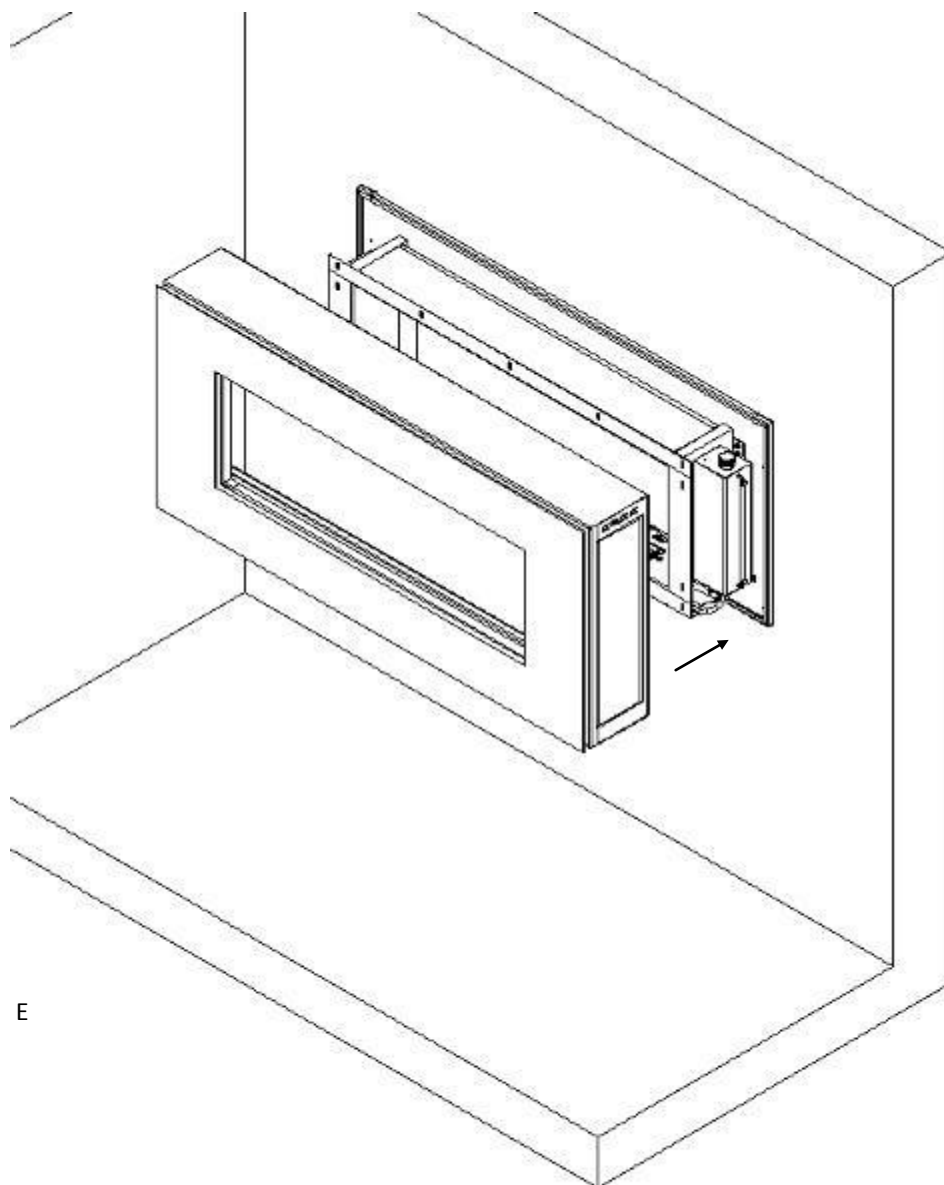
glamm[®]
fire

GlammFire

Crea7ion.E

Finally proceed to the setting of decorative rim (E).

The installation of your fireplace is complete.



GlammFire

Recuperadores Pachinha Lda.
Zona Industrial da Lagoa, Lote G1
4950-850 CORTES - MONÇÃO
PORTUGAL

Tel(+351) 251 654 800
Fax(+351) 251 654 801
info@glammfire.com
www.glammfire.com

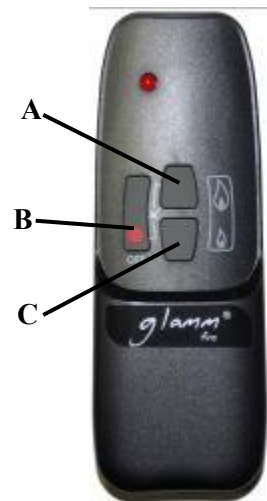
glamm[®]
fire

GlammFire

Creation.E

Operation Instructions

- Access to the tank through the access door on the right side of the fireplace;
 - Access to the deposit of bioethanol through the access door on the right side of the fireplace; With the help of the funnel and mug provided fill the desired amount of fuel (maximum: 3 litres). Check the filling level through the viewfinder;
 - **Light the fireplace:** Press A + B simultaneously
 - After a few seconds will be issue multiple beeps and then it will happen a discharge that will cause the deflagration of the flame. If the deflagration does not occur, make another attempt.
 - If bioethanol is too cold it will be necessary to light using the lighter supplied.
 - For security reasons it is not possible to light the fireplace when combustion fire line is hot, you will need to wait about 20 to 30 minutes.
 - **Flame regulation:** A to increase, C to decrease.
 - **Switch off:** Press B
- After cutting flame may remain small residual flames at the point of fuel inlet for approximately 2 to 10 minutes. At the end of that time the flame becomes extinct completely.



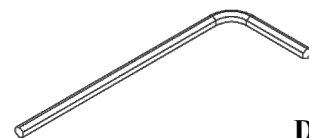
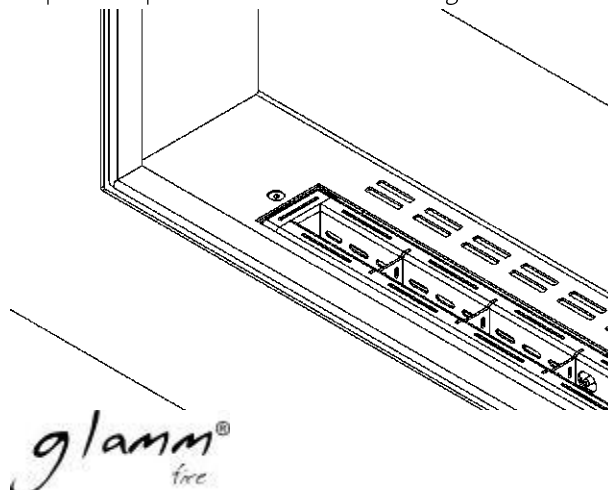
- **Levelling of combustion fire line**

If the flame does not occupy the entire opening will be necessary to level the combustion fire line.

Lack of flame on the left: Turn the screw clockwise to clockwise. Parallel turn the screw counter clockwise.

Lack of flame on the right side: Turn the screw clockwise to clockwise. Parallel turn the right screw counter clockwise.

Repeat the procedure described till to get a uniform flame.



GlammFire

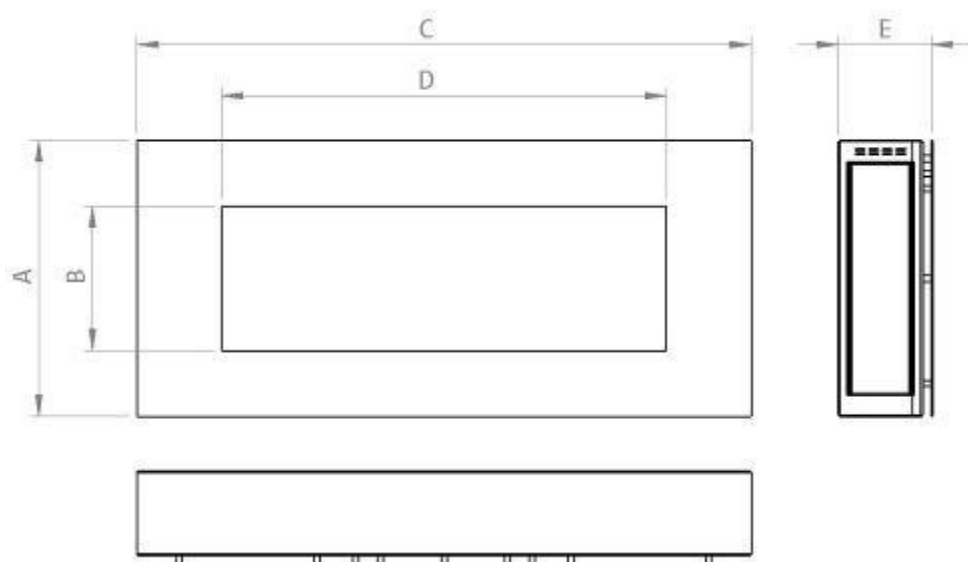
Recuperadores Pachinha Lda.
Zona Industrial da Lagoa, Lote G1
4950-850 CORTES - MONÇÃO
PORTUGAL

Tel(+351) 251 654 800
Fax(+351) 251 654 801
info@glammfire.com
www.glammfire.com

GlammFire

Creation.E

Overall Dimensions/Specifications



MODEL	Dimensions (mm)					Weight (kg)	Capacity (litres)	Power (kW)	Combustion fire line (mm)	Autonomy (hours)
	A	B	C	D	E					
Apollo	650	340	1450	1050	223	86	3	4,5	800	3
Lotus	800	450	800	450	223	63	2	1,4	250	9:30
Mito Small	650	340	1000	600	223	64	3	2,25	400	6
Zen	750	440	1100	550	223	72	3	2,25	400	6
Tango	700	800	1100	400	223	74	2	1,4	250	9:30
Apollo IV	870	340	1628	1050	223	106	3	4,5	800	3
Zen V	750	440	1100	550	330	80	3	2,25	400	6
Mito Genesis	650	340	1450	1050	203	76	3	4,5	800	3
Mito Small Genesis	650	340	1000	600	203	54	3	2,25	400	6

GlammFire

Recuperadores Pachinha Lda.
Zona Industrial da Lagoa, Lote G1
4950-850 CORTES - MONÇÃO
PORTUGAL

Tel(+351) 251 654 800
Fax(+351) 251 654 801
info@glammfire.com
www.glammfire.com



PT04471-D